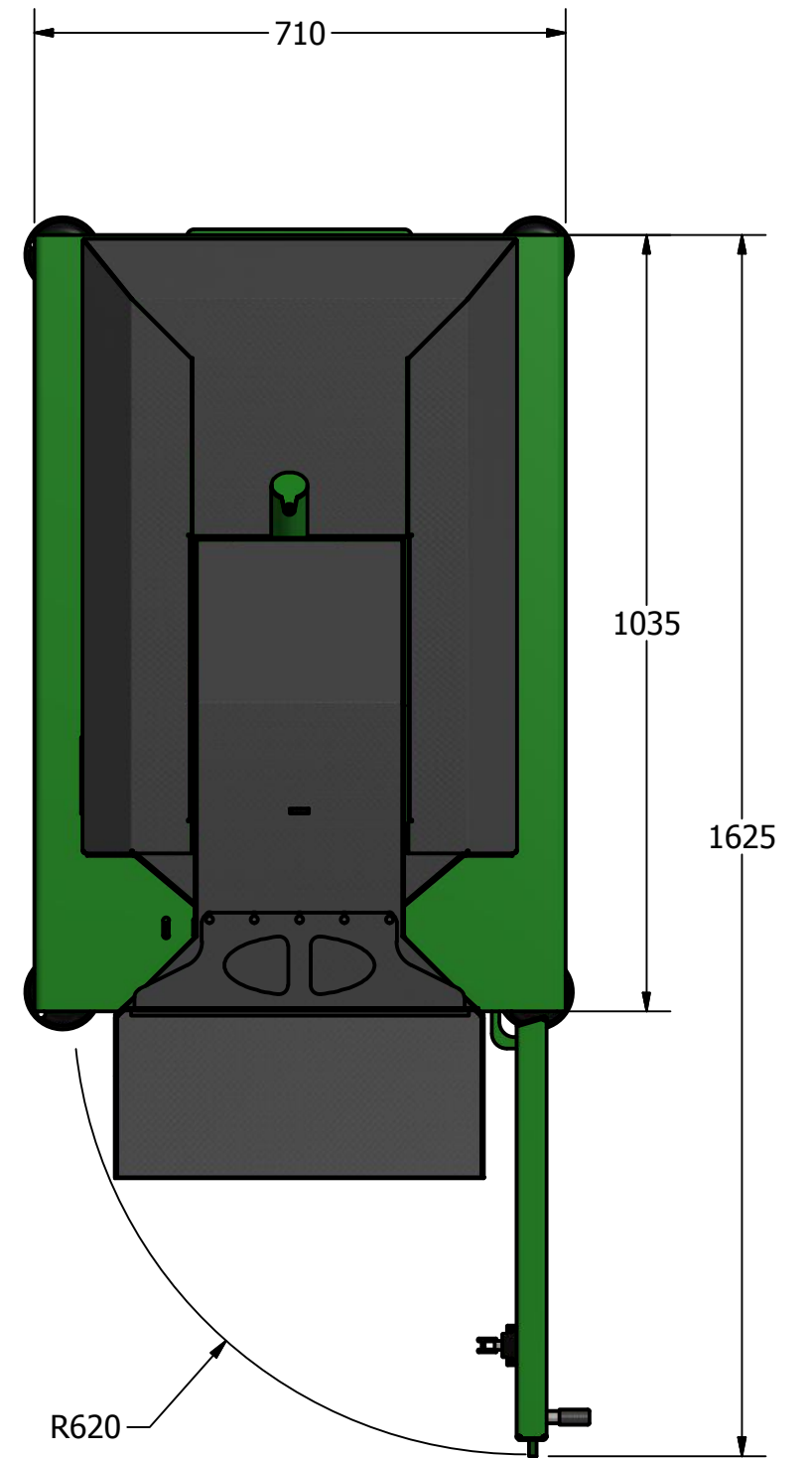
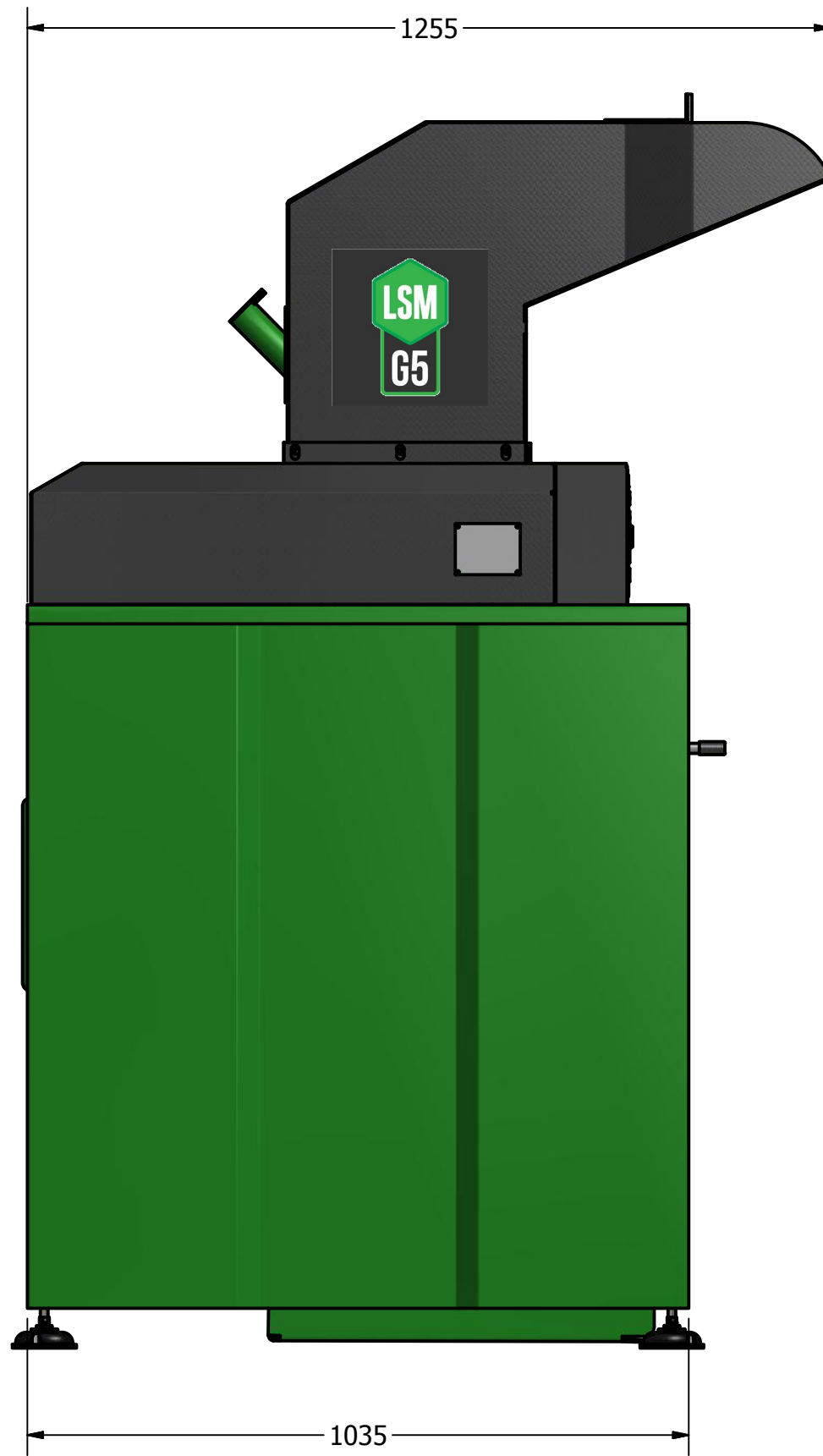
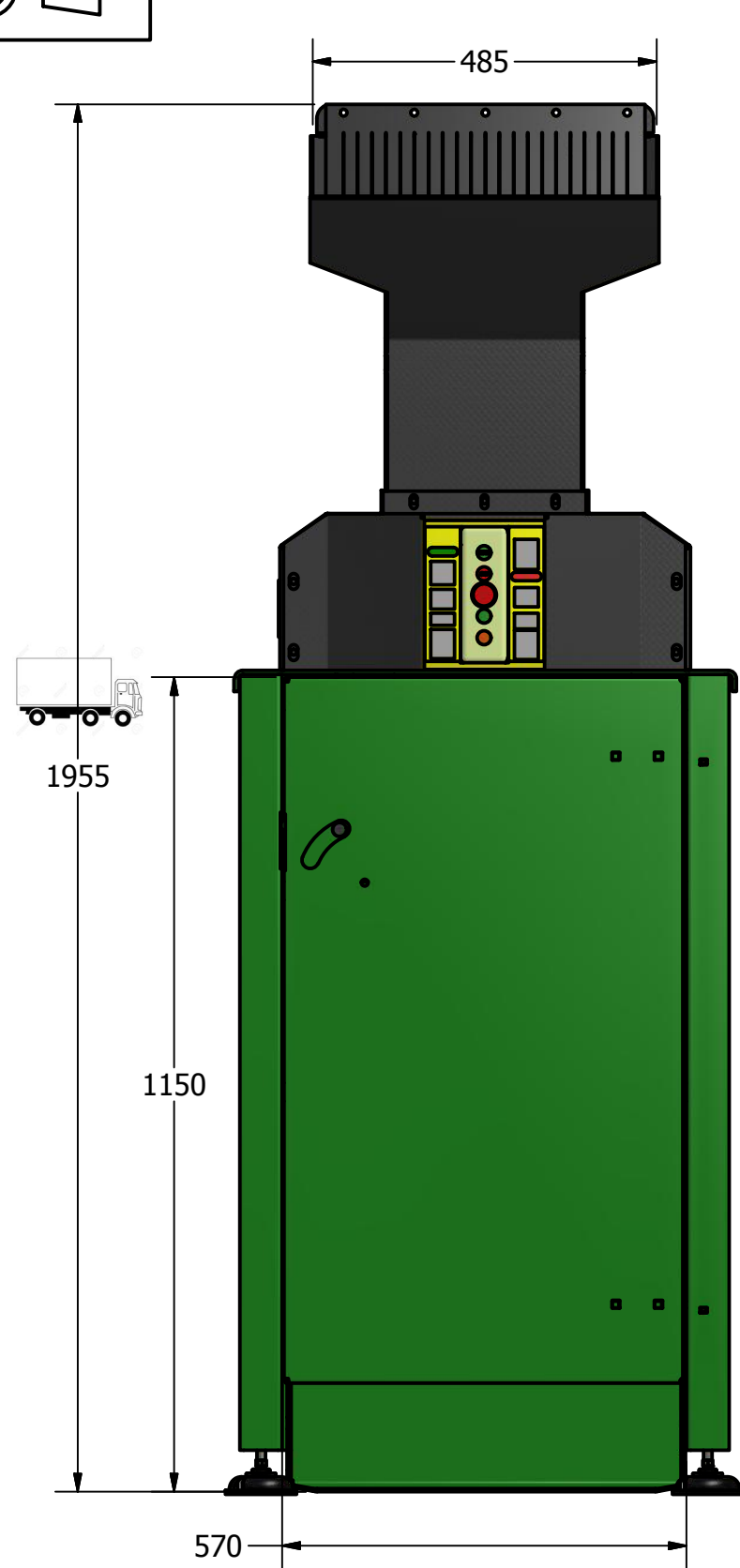
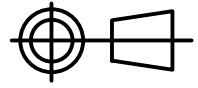


THIRD ANGLE PROJECTION



WWW.LSMLTD.COM

MODEL CODE	G5
MACHINE WEIGHT	320 KG
NOISE LEVEL	70 dB