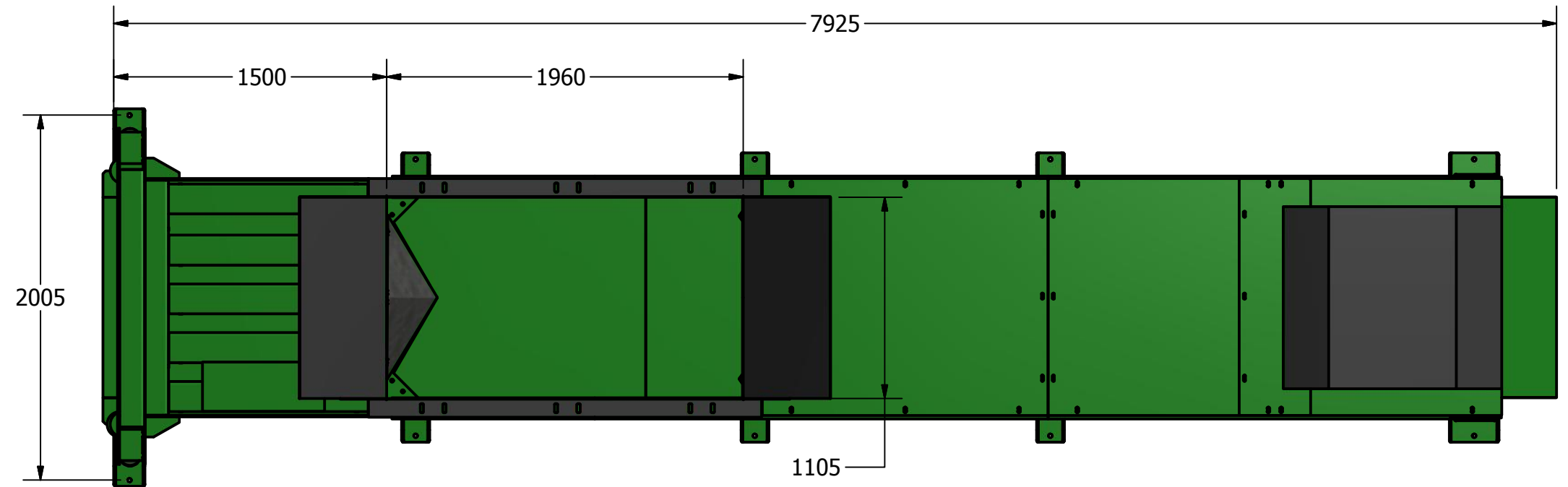
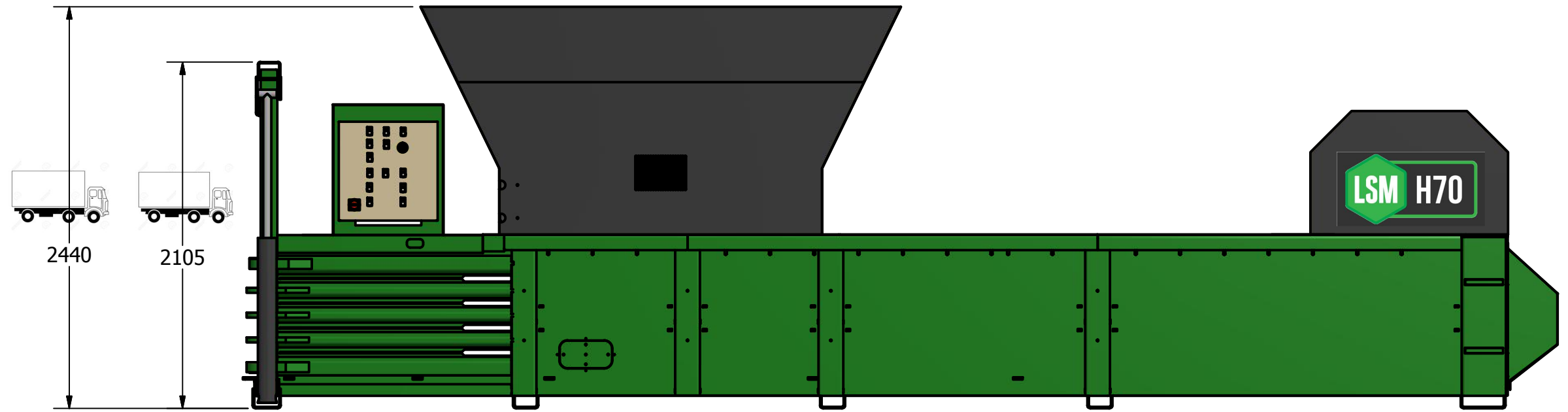
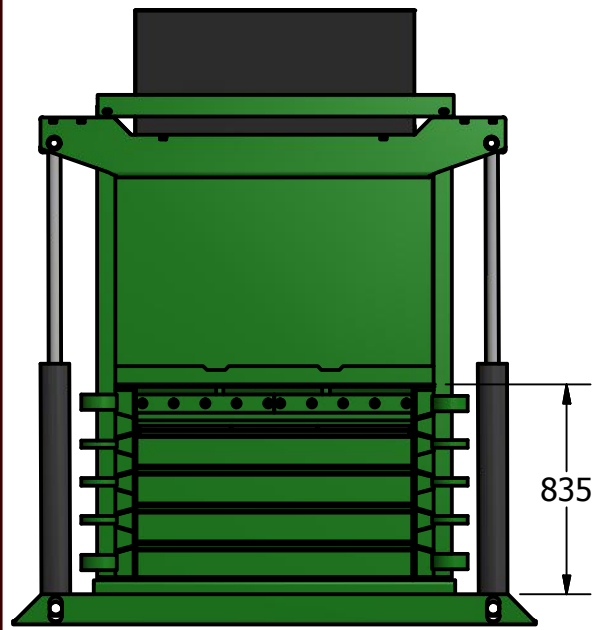
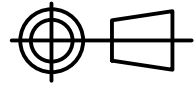


THIRD ANGLE PROJECTION



MODEL CODE	H70
MACHINE WEIGHT	9500 Kg
NOISE LEVEL	80 dB