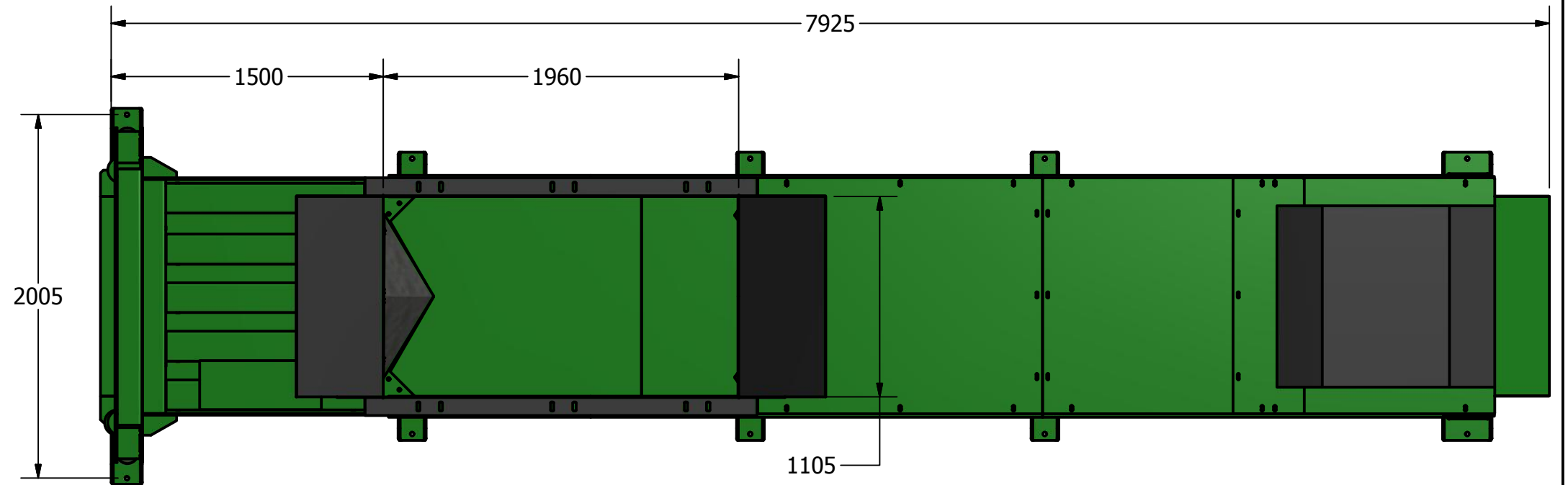
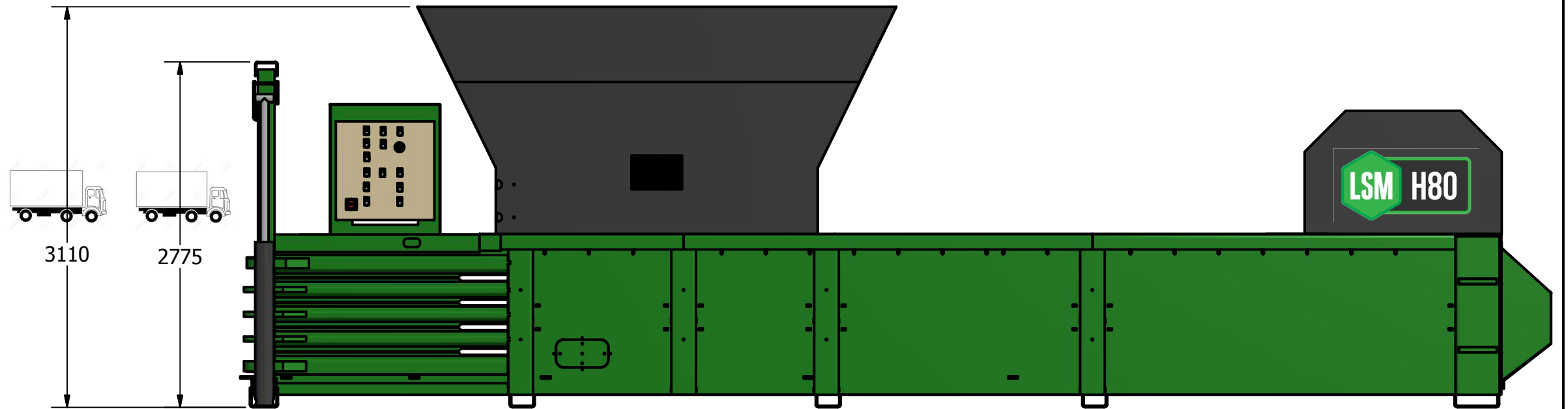
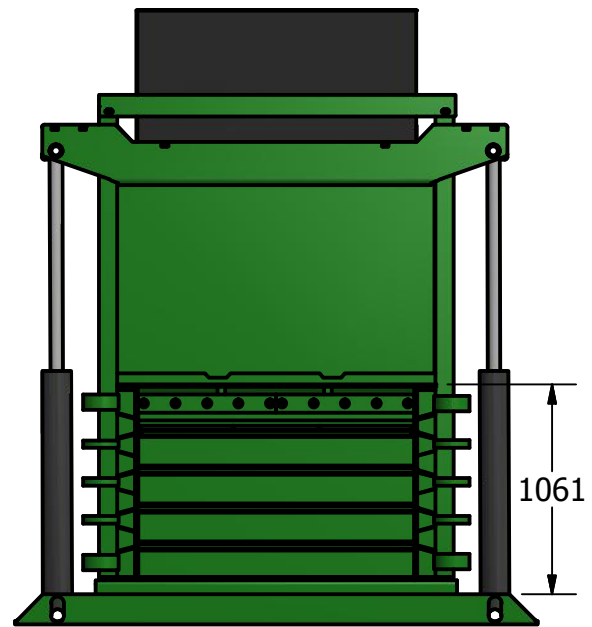
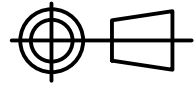


THIRD ANGLE PROJECTION



WWW.LSMLTD.COM

MODEL CODE	H80
MACHINE WEIGHT	App. 10,500Kg
NOISE LEVEL	80 dB