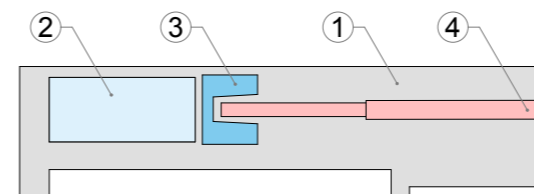



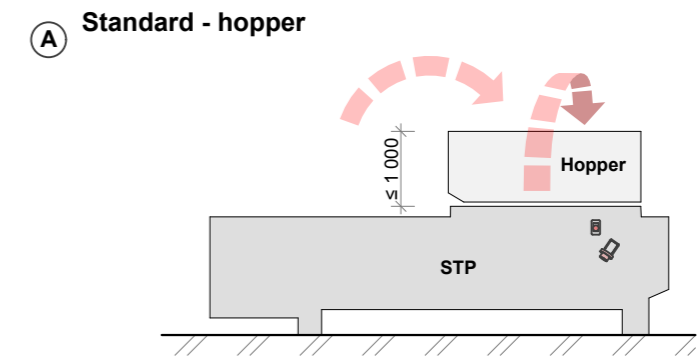
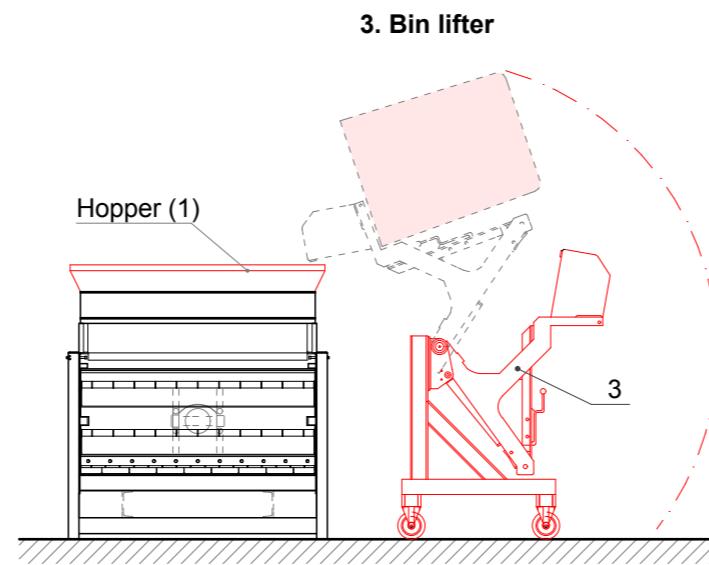
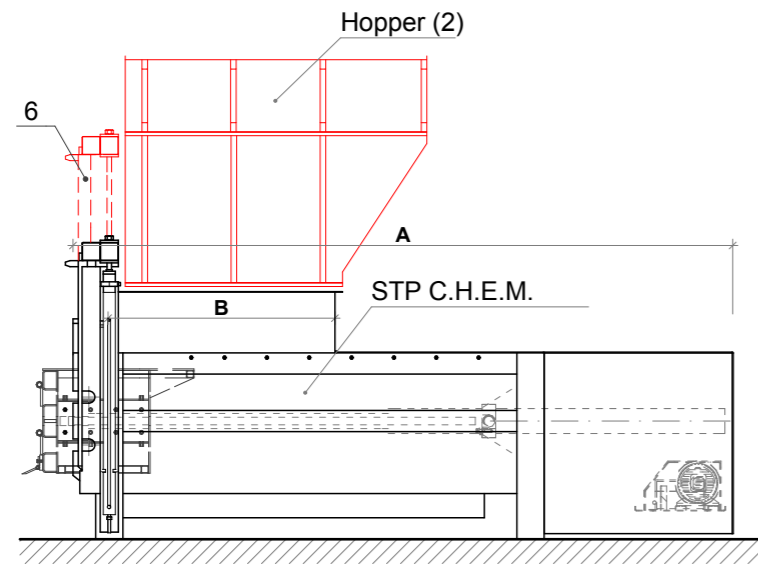
Type	A [mm]	B [mm]	Motor [kW]	Cylinder [mm]	Pump [L/min]	Pressure [tons]
STP 1500-CHEM	3965	1100	7,5	140 / 90 / 1550	30	28
STP 2000-CHEM	4365	1500	7,5 / 11	140 / 90 / 1950	30	28 / 40
STP 2500-CHEM	4965	2100	11	160 / 110 / 2500	42	40

**Consting of:**

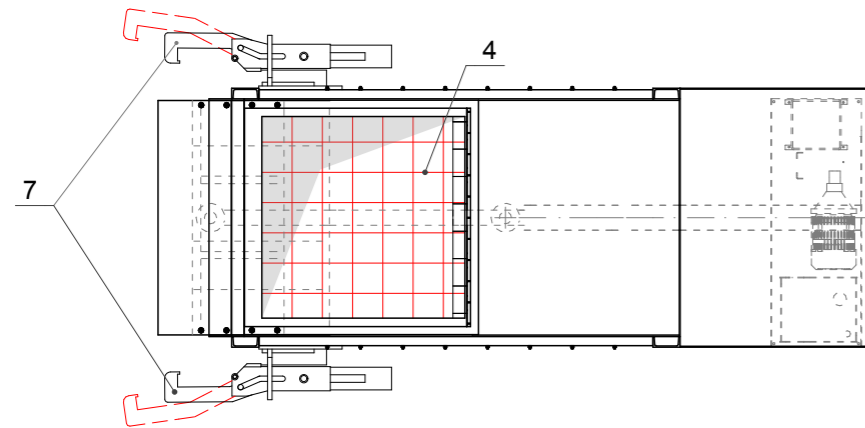
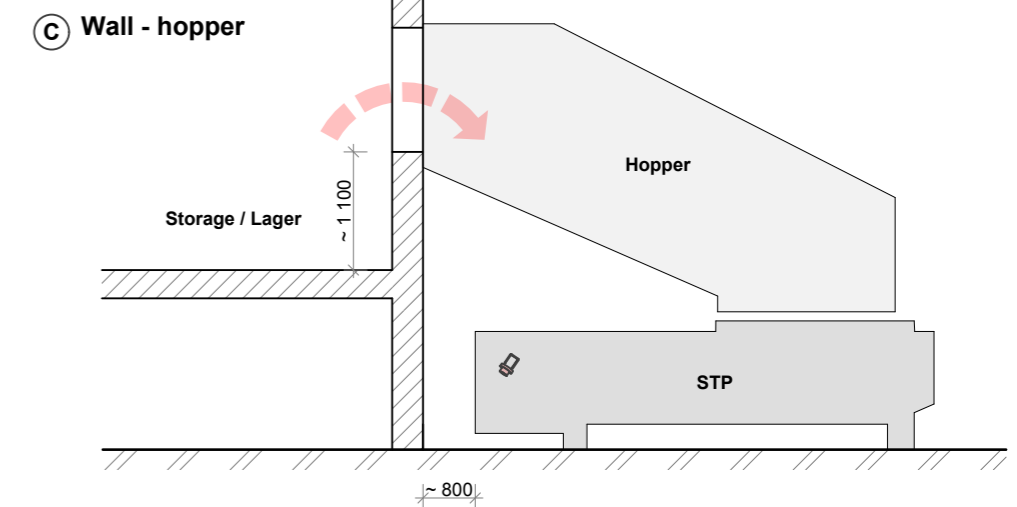
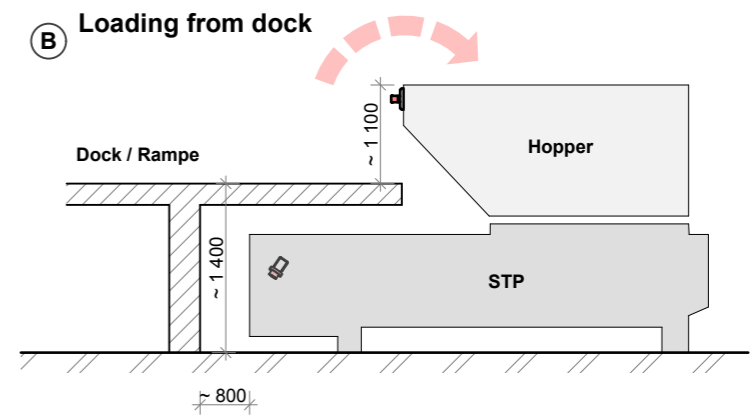
- 1) Body with feet for bolting to the ground
- 2) Press-chamber / press-channel
- 3) Ram-shield with polyamide guiders
- 4) Main hydraulic cylinder
- 5) Electromotor



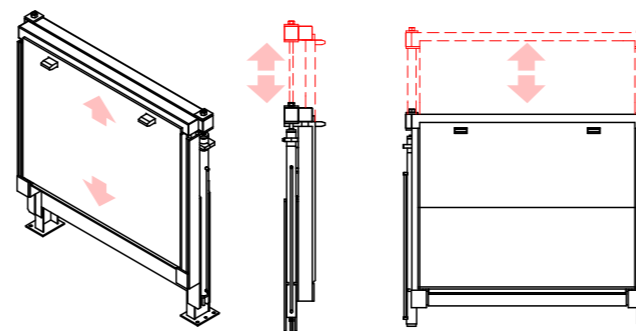
STP - C.H.E.M. - Type			
 LSM Engineering Ballymacken, Portlaoise, Co Laois, Ireland www.lsm ltd.com			
Gezeichnet	Name	Datum	Maßstab
Geprüft	IDO	11.08.2017	1:20
	JHE	11.08.2017	A3



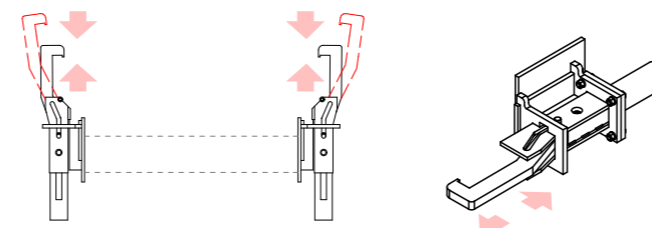
Hopper-design according project requirements



6. Hydraulic Curtain



7. Hydraulic Coupling Device




1. Standard feeding hopper, up to 1 mtr high, included (Type A)

**Optional:**

- 2. Special hoppers and chutes (Type B, C)
- 3. Bin lifters
- 4. Hardox floor
- 5. Extended PLC
- 6. Hydraulic Curtain
- 7. Hydraulic Coupling Device
- 8. other according client's demand



<b>STP - C.H.E.M. - Type</b>			
 LSM Engineering Ballymacken, Portlaoise, Co Laois, Ireland www.lsm ltd.com			
	Name	Datum	Maßstab
Gezeichnet	IDO	11.08.2017	
Geprüft	JHE	11.08.2017	



**STP - C.H.E.M. - Type**



LSM Engineering  
 Ballymacken, Portlaoise, Co Laois, Ireland  
 www.lsm ltd.com

	Name	Datum	Maßstab
Gezeichnet	IDO	11.08.2017	
Geprüft	JHE	11.08.2017	